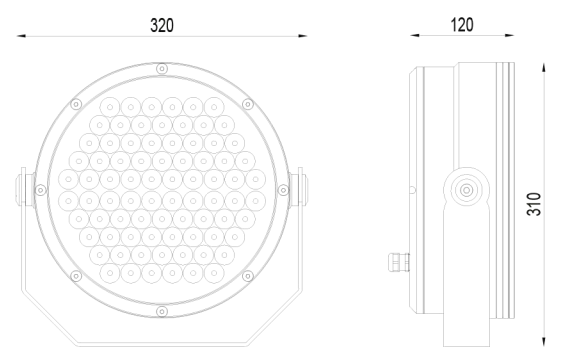


CR 80

CE IP67

Application	High power floodlights, designed for architectural and modern building illuminations.
Installation	Outdoor and indoor
Mounting	Wall or ground (included brackets and cable gland)
Material	Anodized cast aluminium
Details	Graphite as a standard
CRI	Min 80
Options	Other RAL coating, anti-glare shield
Power supply	230V, 50 Hz
Safety class	I or II (in option)



WEIGHT 12 kg



TYPE				
80LED - 100W	CR	80
LED COLOR				
cool white 6500K	CR	...	CW	...
neutral white 4000K	CR	...	NW	...
warm white 3000K	CR	...	WW	...
RED	CR	...	R	...
GREEN	CR	...	G	...
BLUE	CR	...	B	...
ROYAL BLUE	CR	...	RB	...
AMBER	CR	...	A	...
RGB	CR	...	RGB	...
RGBW	CR	...	RGBW	...
RGBA	CR	...	RGBA	...
OPTIC				
7,5°	CR	7,5°
15°	CR	15°
25°	CR	25°
45°	CR	45°
10x41°	CR	10x41°
22x40°	CR	22x40°
16x90°	CR	16x90°
e.g.	CR	80	CW	7,5°

IN OPTION

